

Assembly instructions WPC Design door

Montagehinweis WPC Design Gartentor

Instructions de montage WPC Design porte

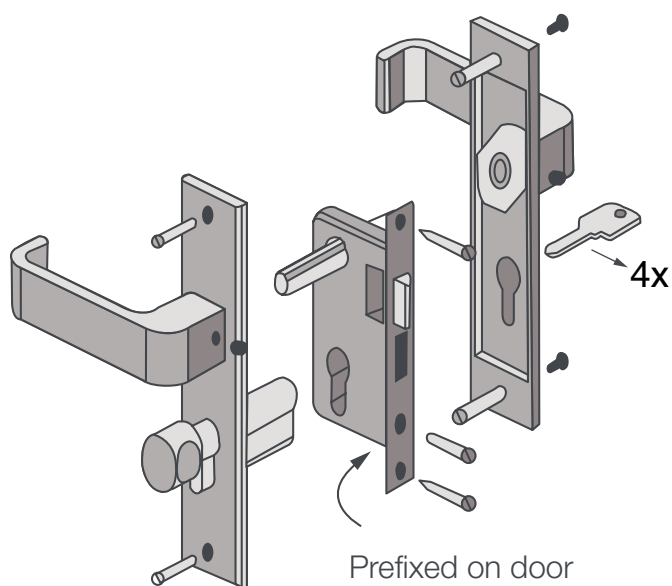
Montage instructie Composiet Design deur



Parts list

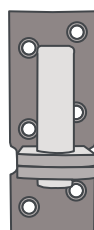
Lock Set

1x

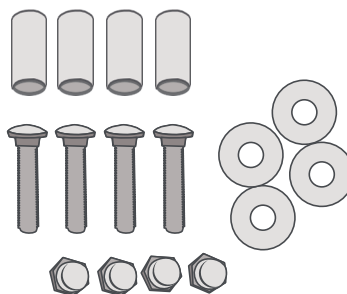


Hinge & thumb set

3x



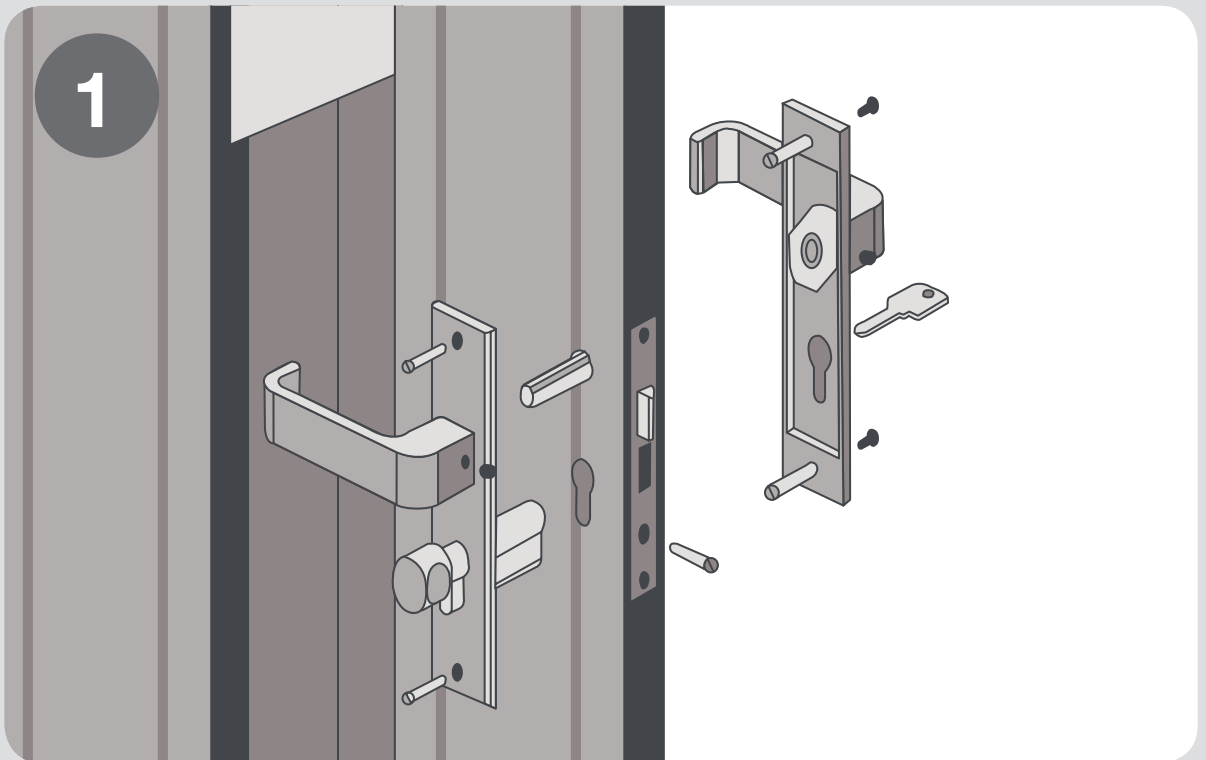
6x



Assembly steps

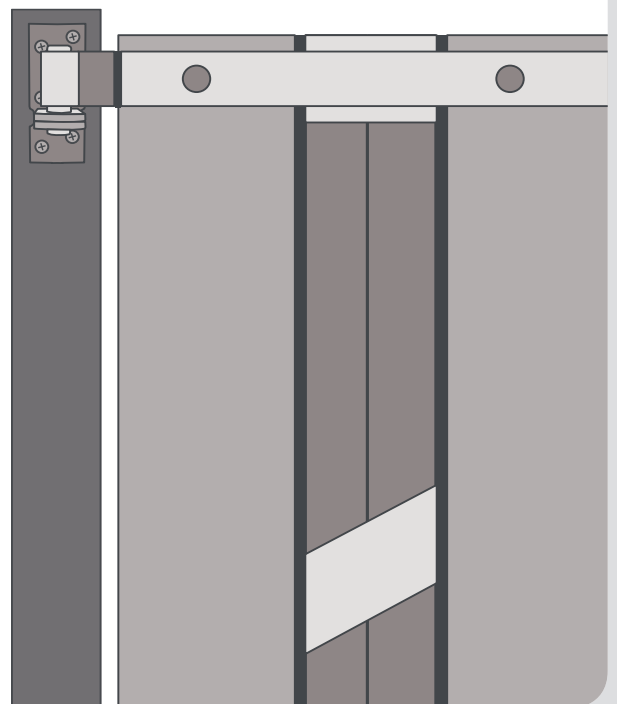
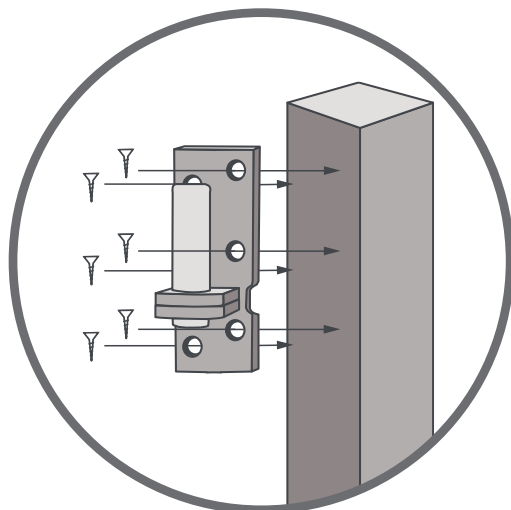
Lock Set Assembly

1



Thumb Set Assembly

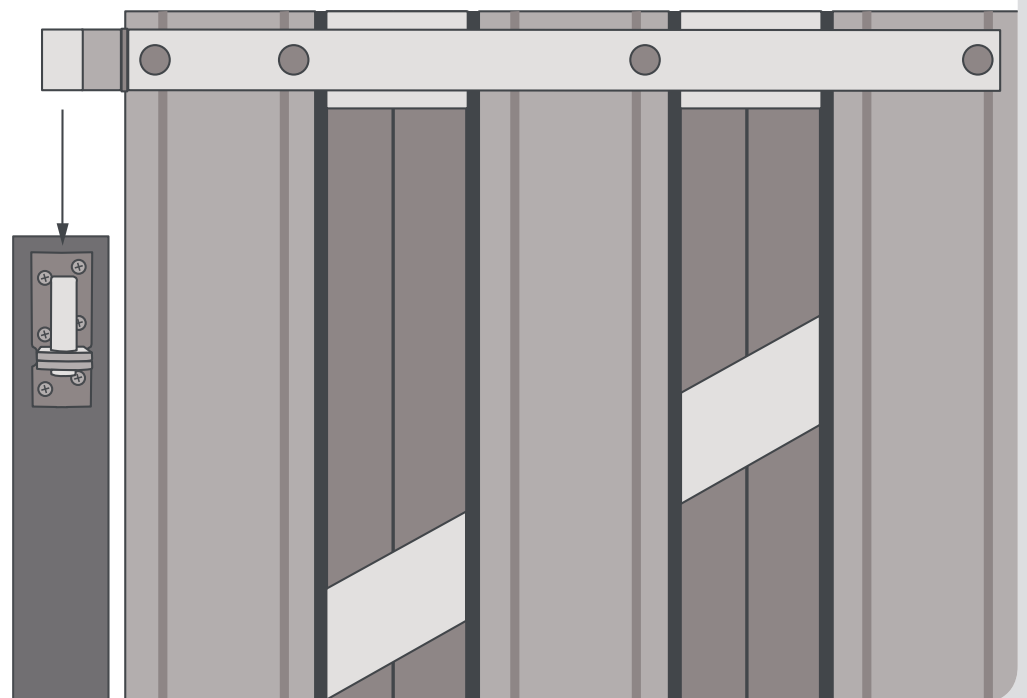
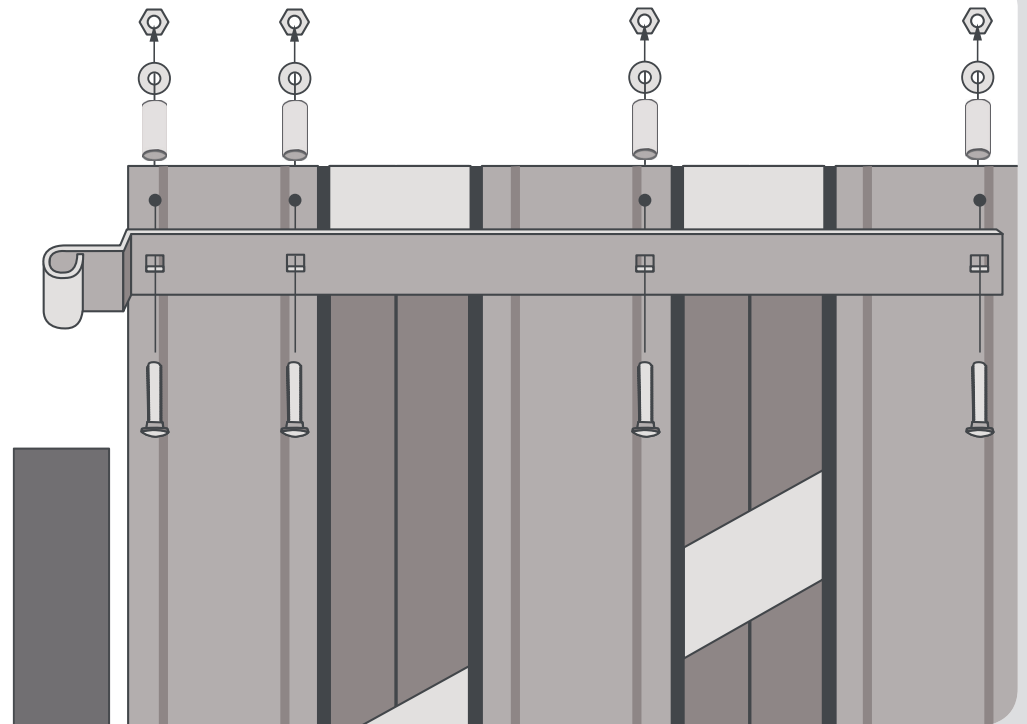
2



Assembly steps

**Hinge Set
Assembly**

3





Assembly steps

Finish
Assembly

4

