



Assembly instructions WPC Design door

Montagehinweis WPC Design Gartentor

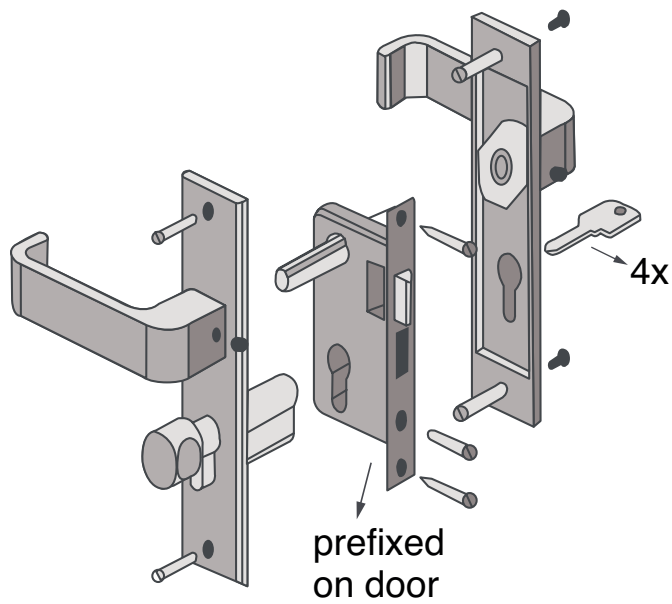
Instructions de montage WPC Design porte

Montage instructie Composiet Design deur

## Parts list

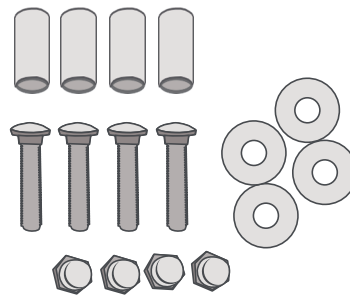
### Lock Set

1x



### Hinge & thumb set

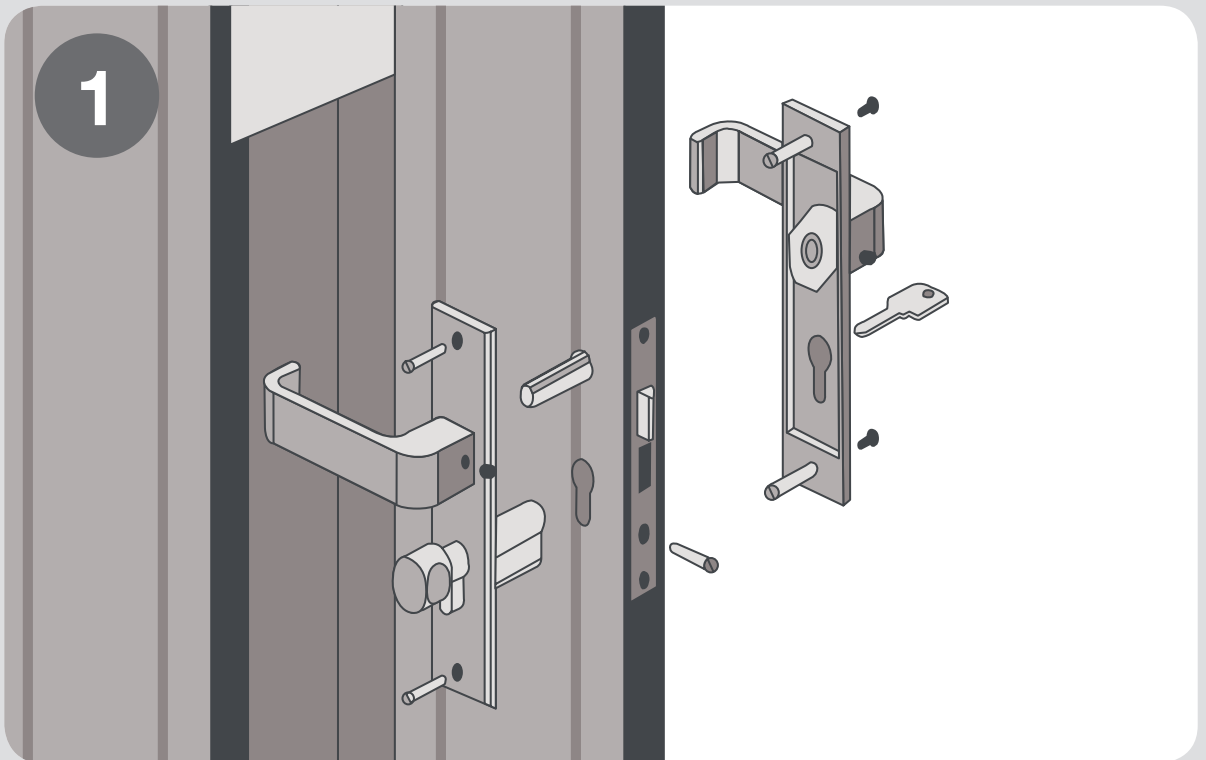
3x



## Assembly steps

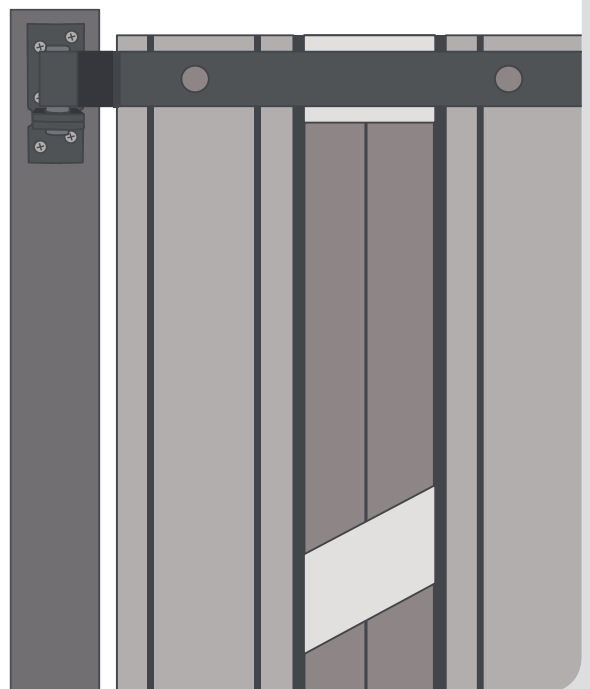
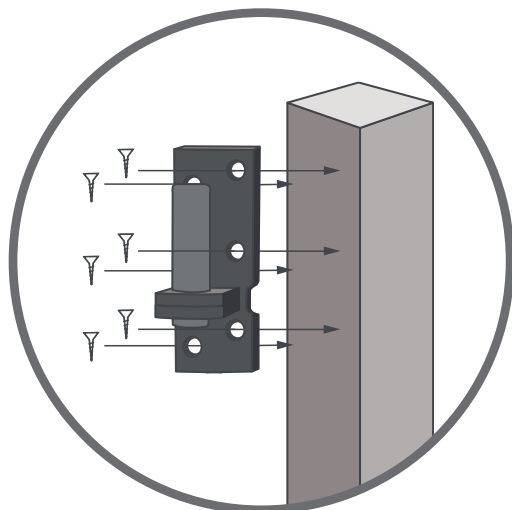
### Lock Set Assembly

1



### Thumb Set Assembly

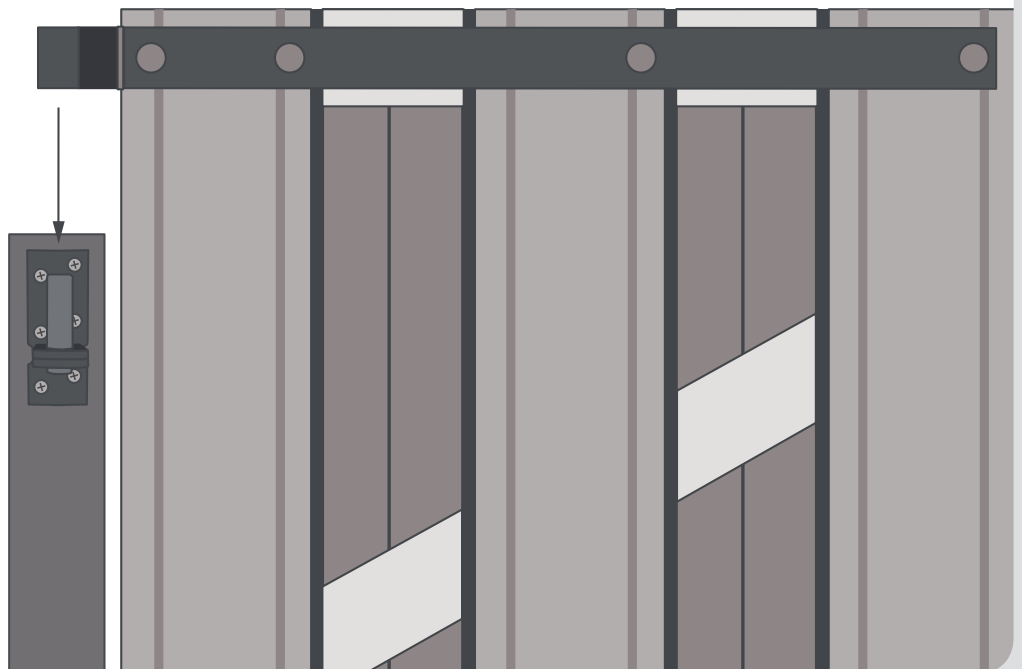
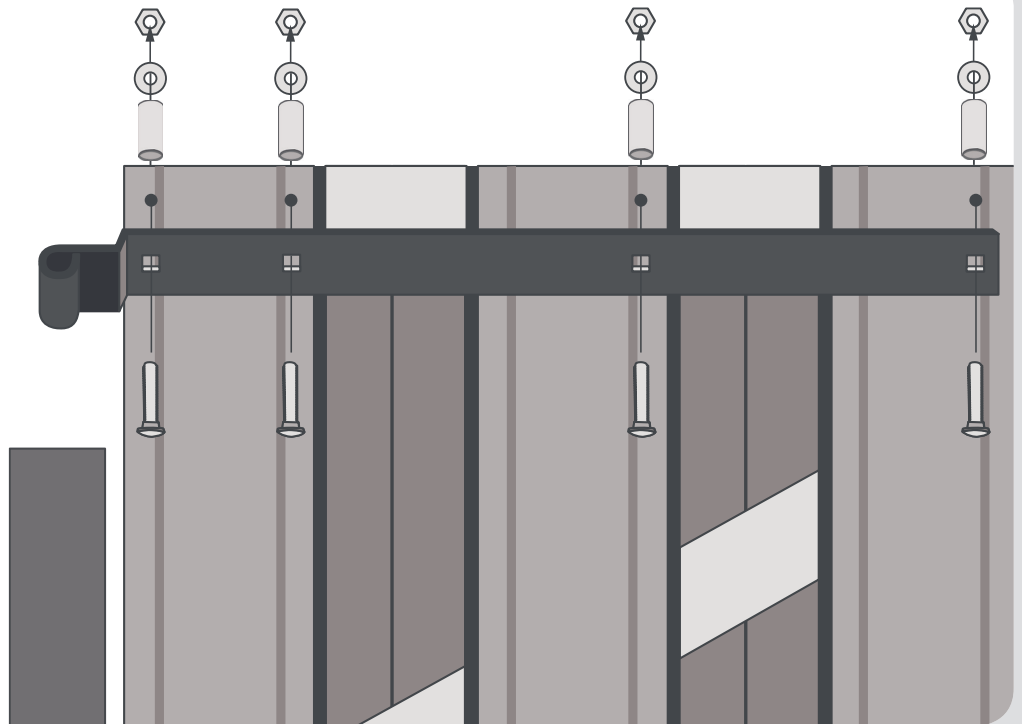
2



## Assembly steps

### Hinge Set Assembly

3





## Assembly steps

Finish  
Assembly

4

doorstopper  
enclosed with door

